

产品特性/Product Features

- IP6K9K
- 40A 85°C
- 12-750VDC
- 1000MΩ (1000VDC) , IEC 60664-1
-

触点参数 / Contact parameters

		1a	
		≤3mΩ (at 10A)	
		40A	
		2×10 ⁵	
		450V型	750V型
		1000VDC	1000VDC
		400A(320VDC)1	400A(320VDC)1
		18kW	30kW
1)		2×10 ⁴ 450VDC,40A)	1×10 ³ 750VDC,40A)
		7.5×10 ⁴ 450VDC,40A	7.5×10 ⁴ 750VDC,40A
2)		40A:	
		60A:60min	
		80A:20min	
		160A:30s	
		320A:2s	
		400A:0.6s	

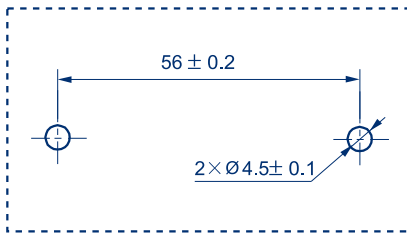
1) 23°C, 0.6s:5.4s,

2) 85°C, 10 mm²,

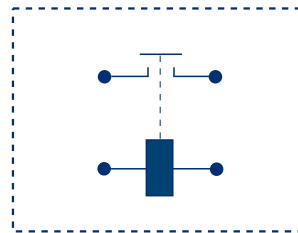


安装孔尺寸 / 接线图 Mounting hole size/Wiring diagram

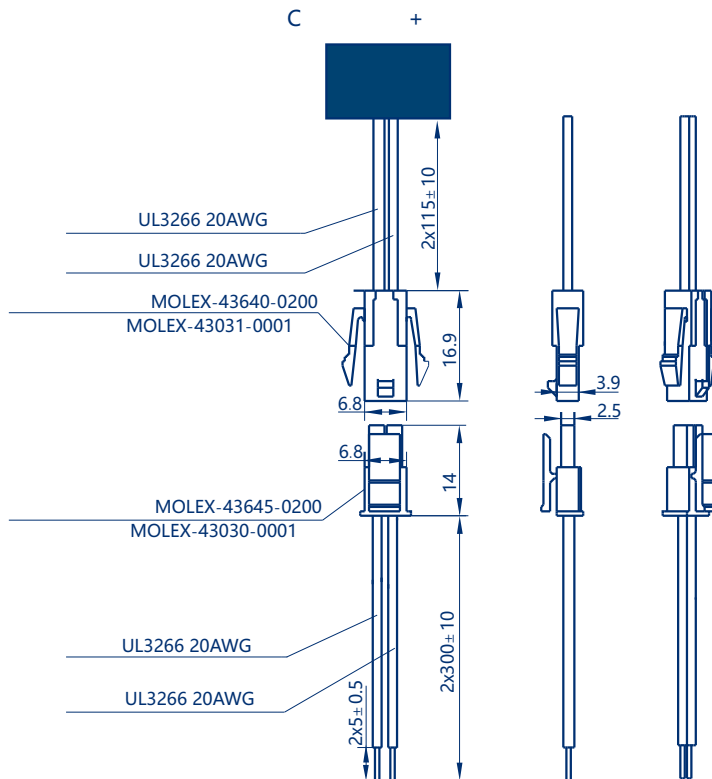
Mounting hole size



Wiring diagram

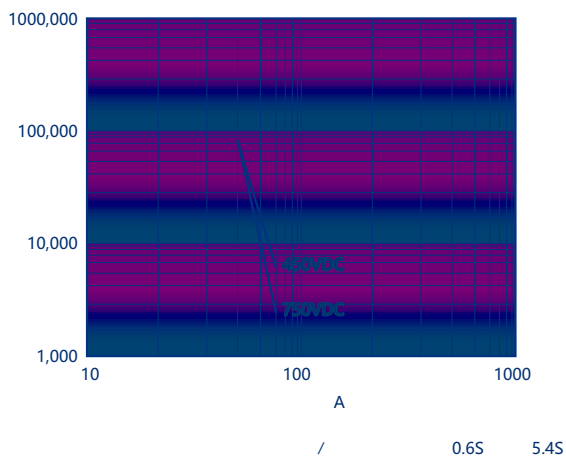


线圈引出形式 Coil take-up form

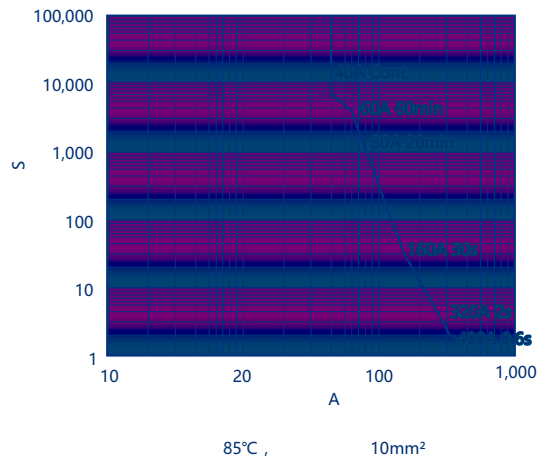


性能曲线图 Performance graph

Electrical life curve



Tolerance curve



使用注意事项 Precautions for use

1 M4 1.8N·m~2.7N·m。

M4螺钉	1.8N·m~2.7N·m	Ø4.0~Ø4.5mm	2mm	M4螺钉	1.8N·m~2.7N·m
------	---------------	-------------	-----	------	---------------

2 10mm²

3 2mm



声明/Statement:

1.

2.